

6 5 4 3 2 1

D

D

C

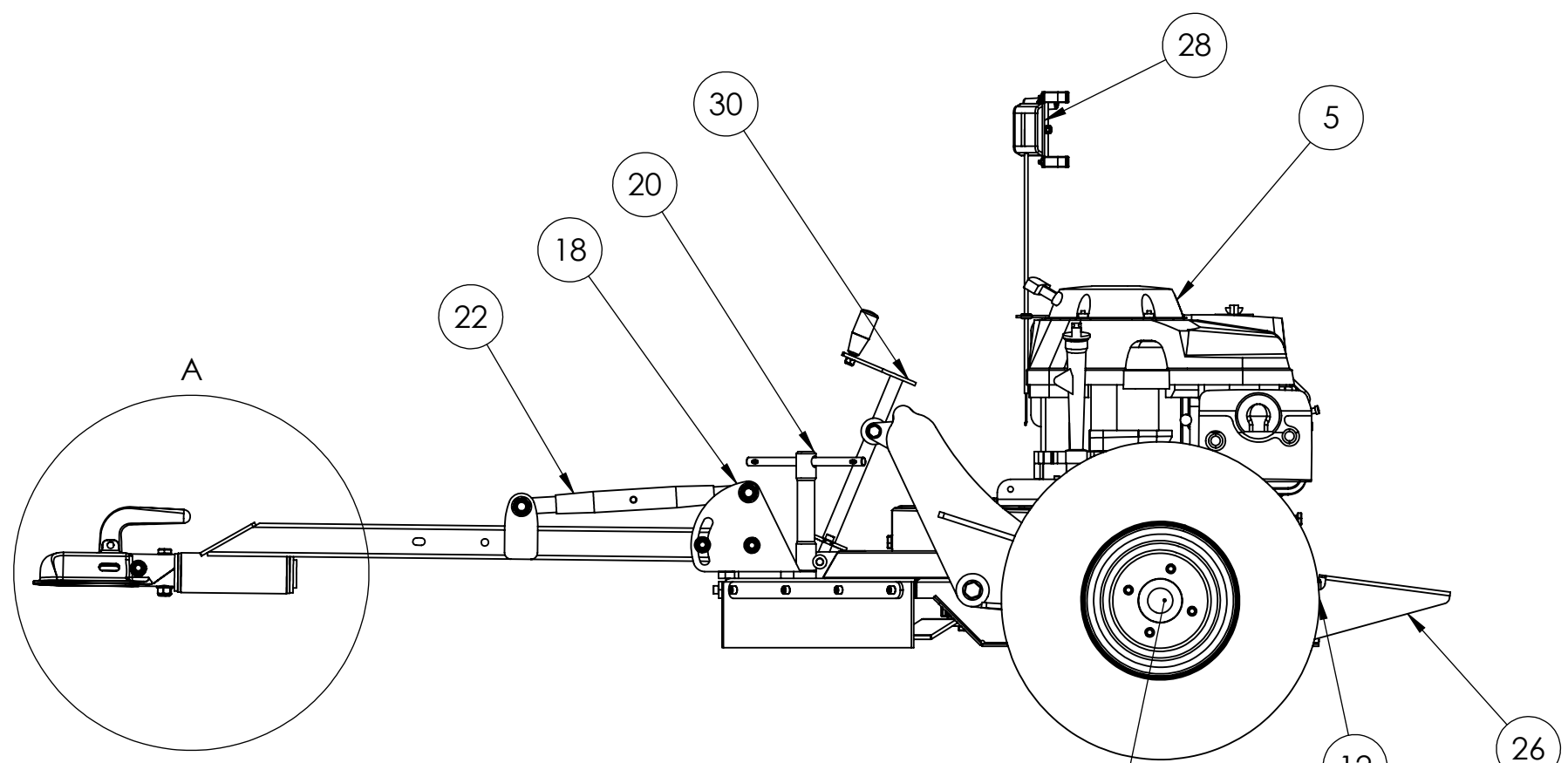
C

B

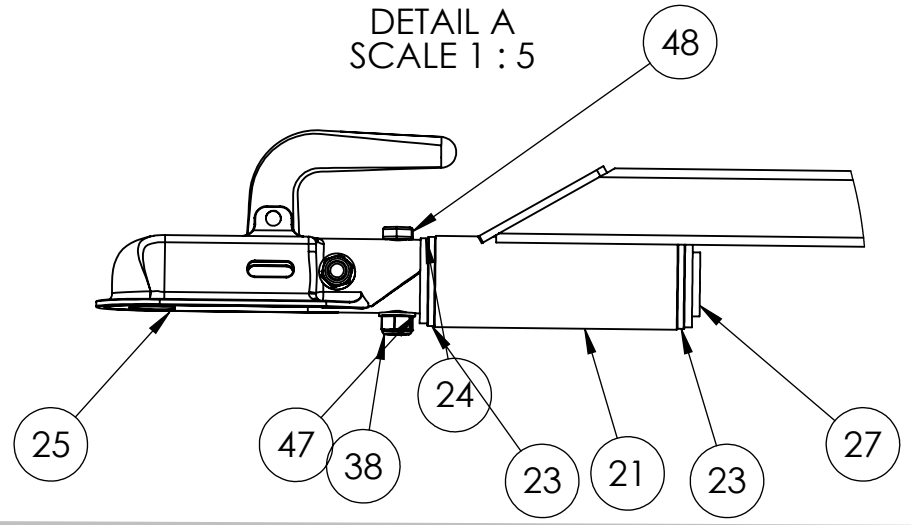
B

A

A

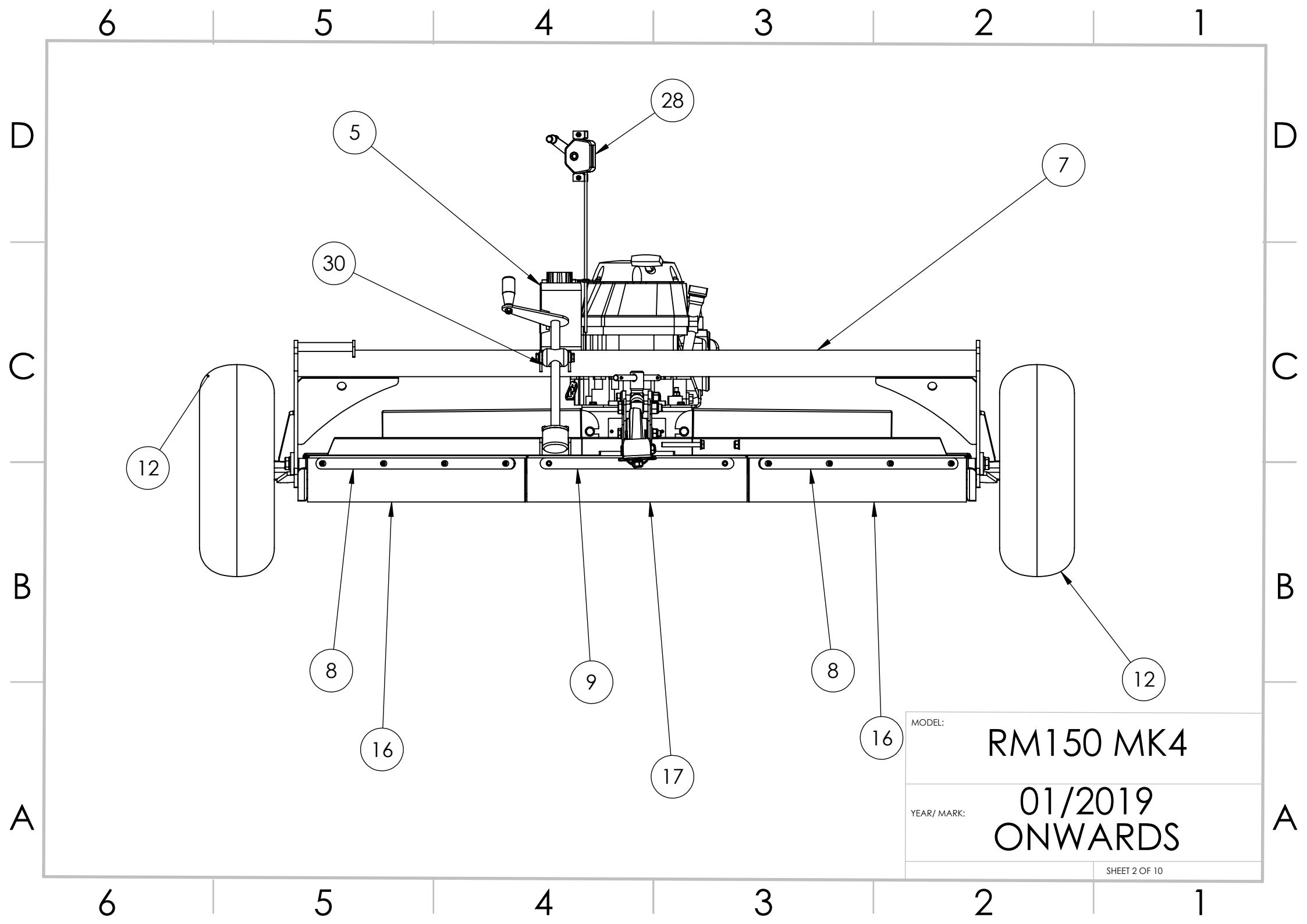


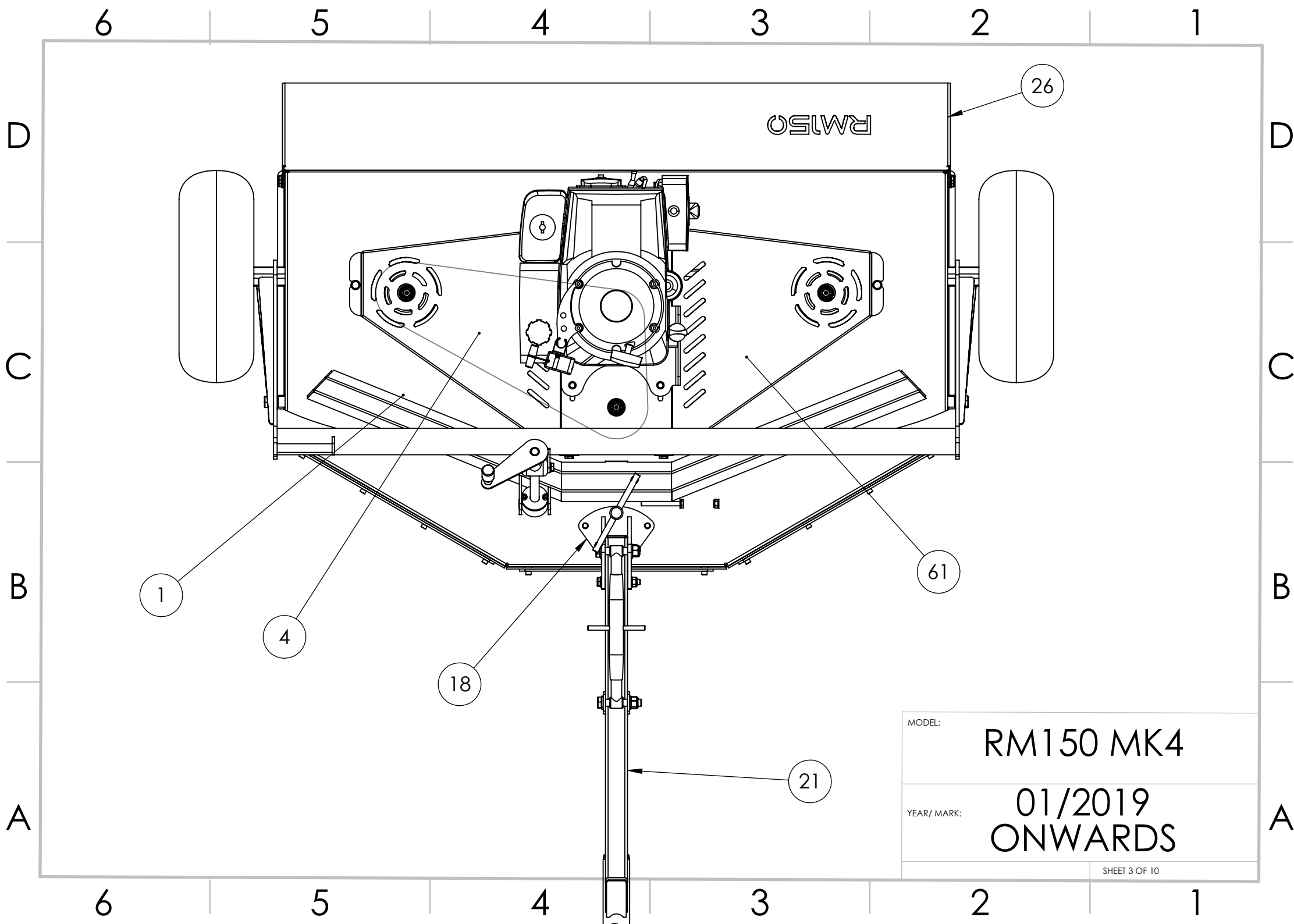
DETAIL A  
SCALE 1 : 5



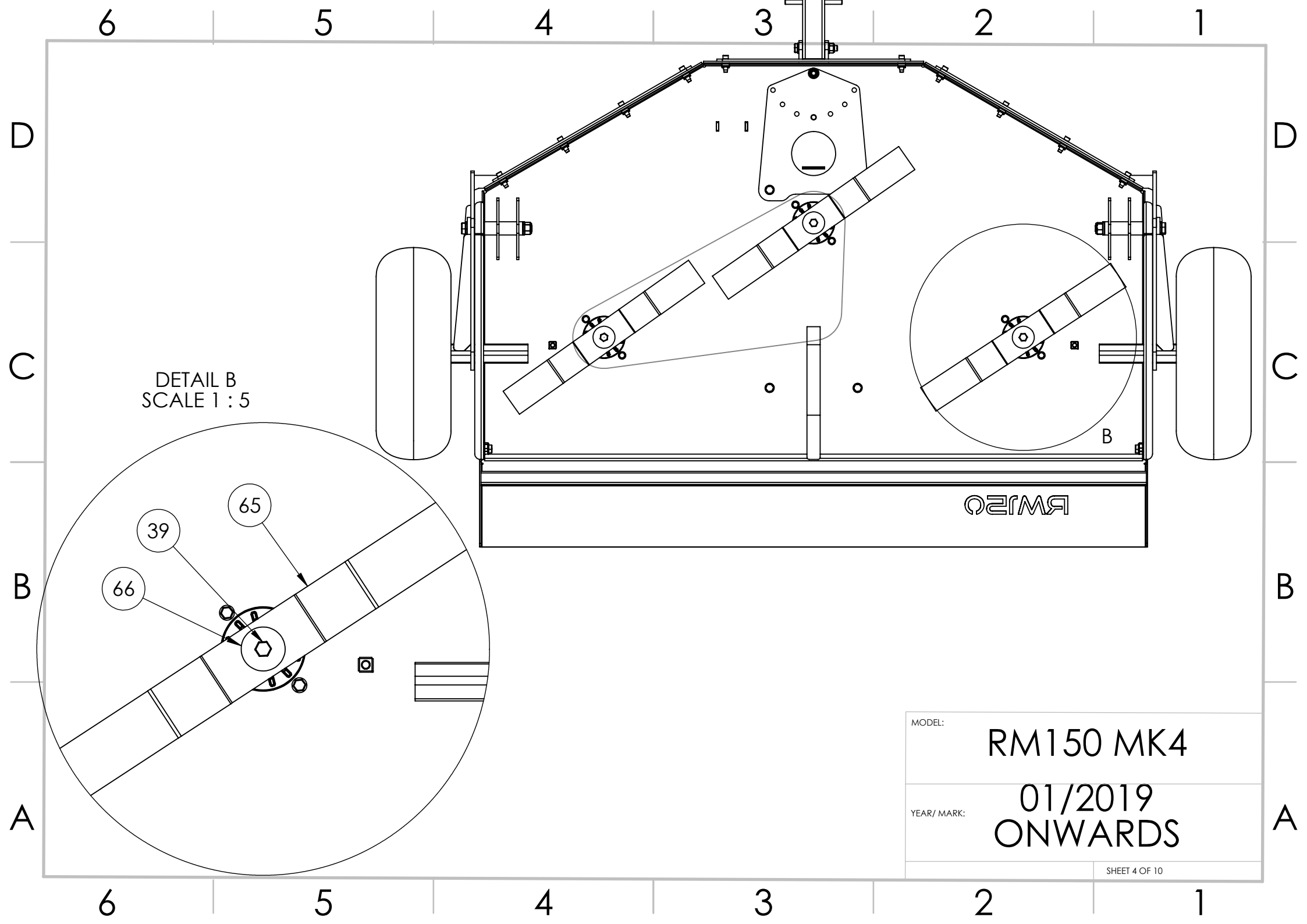
MODEL:	RM150 MK4
YEAR/ MARK:	01/2019 ONWARDS
SHEET 1 OF 10	

6 5 4 3 2 1





MODEL:	RM150 MK4
YEAR/ MARK:	01/2019 ONWARDS
SHEET 3 OF 10	



DETAIL B  
SCALE 1 : 5

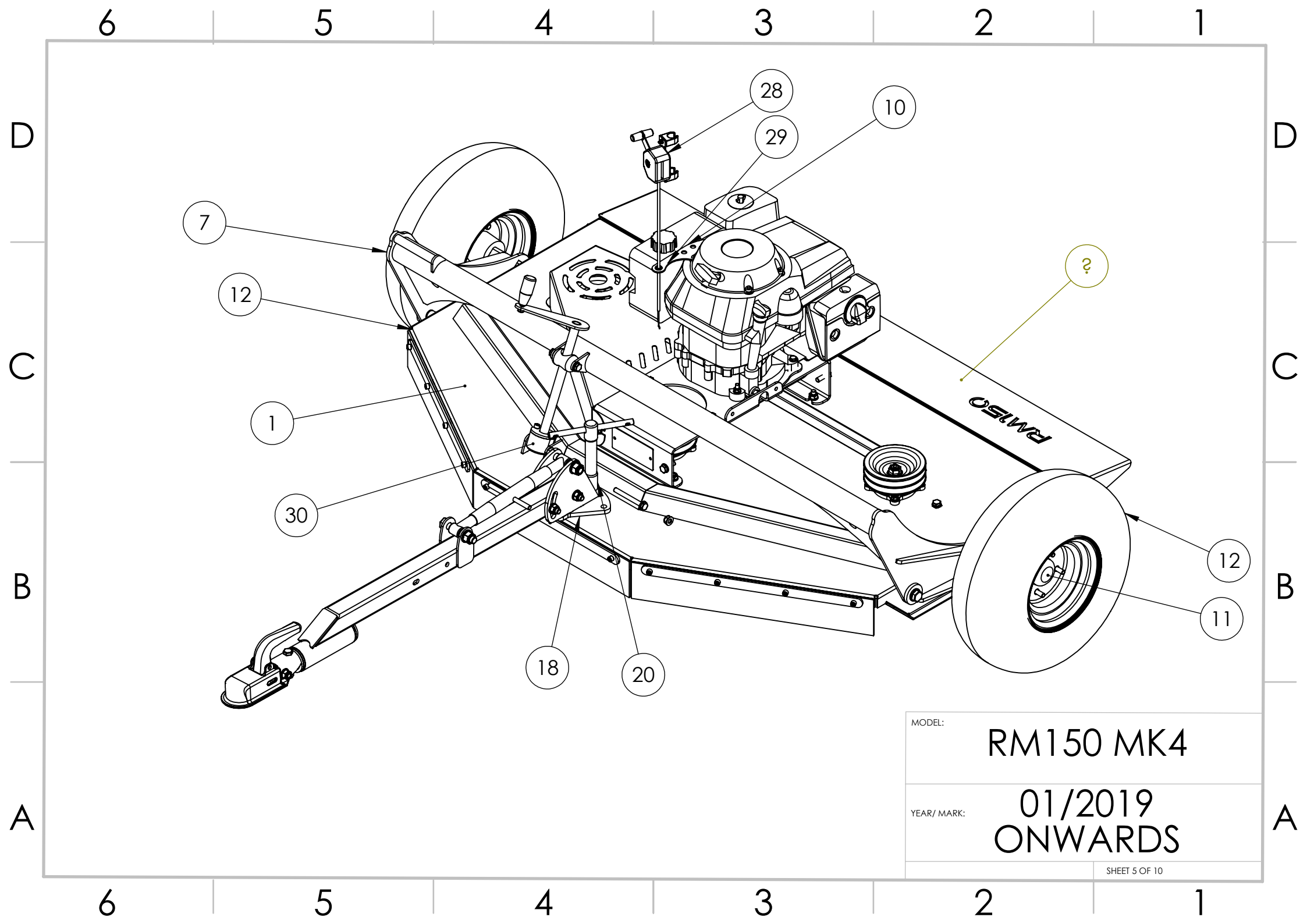
RM150

MODEL:

RM150 MK4

YEAR/ MARK:

01/2019  
ONWARDS



MODEL: RM150 MK4

YEAR/ MARK: 01/2019 ONWARDS

6

5

4

3

2

1

D

D

C

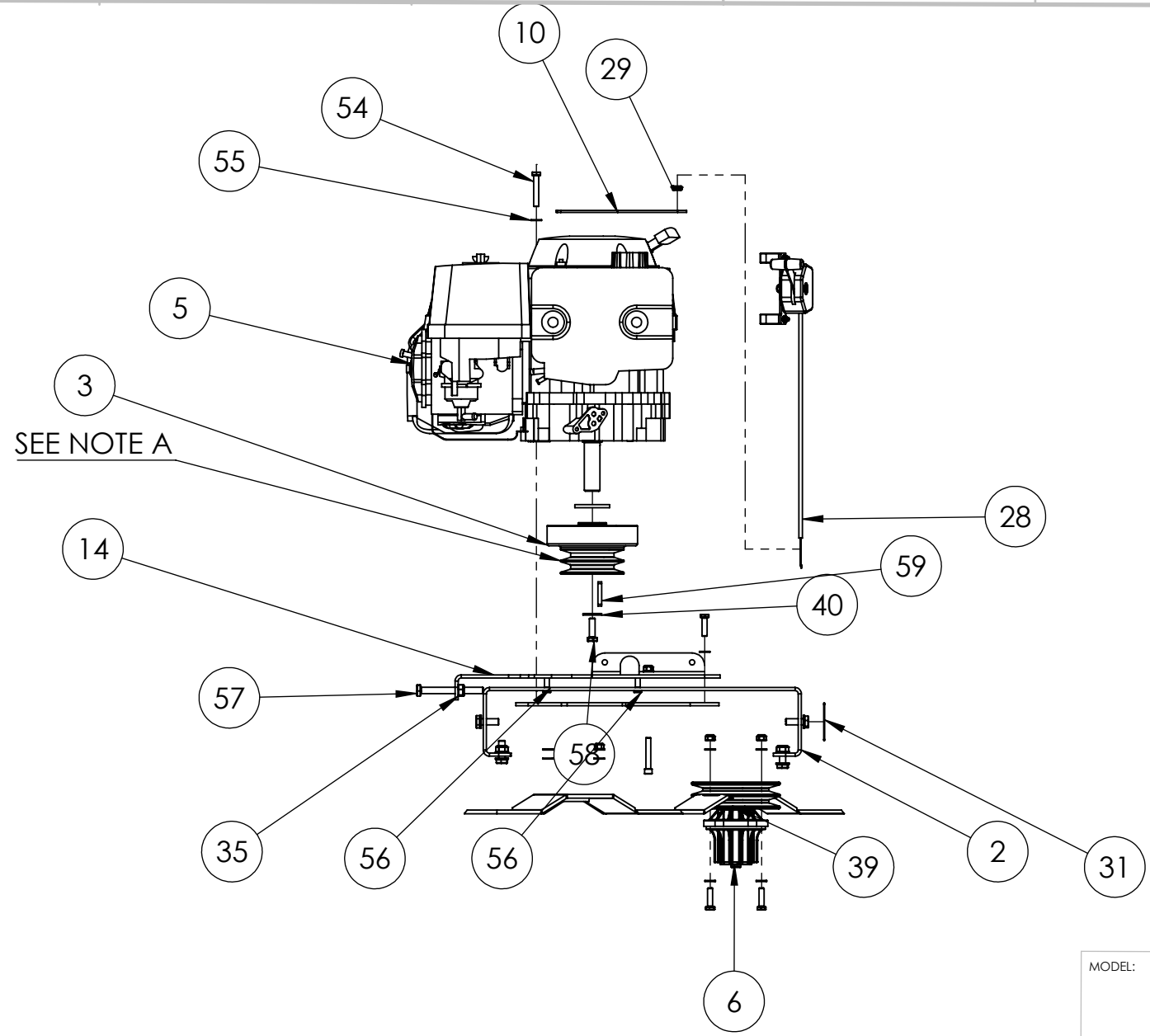
C

B

B

A

A



MODEL:	RM150 MK4
YEAR/ MARK:	01/2019 ONWARDS
SHEET 6 OF 10	

6

5

4

3

2

1

6 5 4 3 2 1

D

D

C

C

B

B

A

A

ITEM NO.	PART NUMBER	DESCRIPTION	RM150/QTY.
1	RM150-MDA	MAIN DECK ASSEMBLY RM150	1
2	RM-ERA	ENGINE RISER ASSEMBLY, RM SERIES	1
3	K125-1922	CLUTCH, 145MM OD, 4" 2 GROOVE PULLEY, 1" INPUT SHAFT	1
4	RM150-BGR	BELT GUARD RH RM150	1
5	GXV390-T1-DN5	HONDA GXV390-T1-DN5-OH 13HP VERTICAL SHAFT ENGINE 1" PARALLEL SHAFT	1
6	RM-SA	SPINDLE ASSEMBLY, RM, 2 GROOVE	3
7	RM150-AA	AXLE ASSEMBLY, RM150	1
8	FM120-011	FIXING STRIP, FM120 REV B	2
9	RM150-019	FIXING STRIP SHORT 5MM	1
10	RM120-009	THROTTLE CABLE HOLDER, RM SERIES	1
11	ADR-200H	HUB 4X4" SSP	2
12	WAT-1978-4x4	WHEEL AND TYRE ASSEMBLY 19X7X8 WANDA P308 ON 4X4" PCD	2
13	RM120-074	CLUTCH WASHER RM SERIES	1
14	RM-ESA	ENGINE SLIDE PLATE ASSEMBLY, RM SERIES	1
15	RM-ECA	ENGINE CAPTIVE ASSEMBLY, RM SERIES	1
16	RBR-570	RUBBER STRIP, 570MM LONG, 5MMX100MM INSERTION	2
17	RBR-500	RUBBER STRIP, 500MM LONG, 5MMX100MM INSERTION	1
18	RM-DMA	DRAWBAR MOUNT ASSEMBLY RM SERIES	1

MODEL: **RM150 MK4**

YEAR/ MARK: **01/2019 ONWARDS**

6 5 4 3 2 1

6 5 4 3 2 1

ITEM NO.	PART NUMBER	DESCRIPTION	RM150/QTY.
19	MFM-1218-12	IGUS BEARING MFM 12MM ID 18MM OD 12MM THICK TOP HAT STYLE MFM-1218-12	1
20	SHS-12(ASSY)	SWIVEL HITCH SCREW ASSEMBLY 12MM THREAD	1
21	DBA-900	DRAWBAR 900MM LONG 50X50X5MM BOX ASSEMBLY	1
22	TL-1902000GP	TOP LINK CAT 0	1
23	SH-002		2
24	SH-003	SWIVEL HITCH WASHER 44MM ID 60MM OD 5MM THICK	1
25	8802429X	8802429X COUPLING 50MM BALL TO SUIT 43MM TUBE	1
26	RM150-RGA	REAR GUARD ASSEMBLY, RM150	1
27	SH-001	SWIVEL HITCH DRAWTUBE ASSEMBLY	1
28	RM-TA	THROTTLE ASSEMBLY COMPLETE, RM SERIES	1
29	498047	RUBBER GROMMET, PVC, 10MM ID, 16MM OD, 7MM THICK, 12MM HOLE DIA	1
30	RM150-HAC	HIEGHT ADJUSTMENT COMPLETE ASSEMBLY, RM150	1
31	SERIALPLATE	SERIAL PLATE CHAPMAN	1
32	M10-20HB	M10 x 20 Hex Head Bolt	4
33	M10-000PW	M10 PLAIN WASHER FORM A	26

MODEL: **RM150 MK4**

YEAR/ MARK: **01/2019 ONWARDS**

SHEET 8 OF 10

6 5 4 3 2 1

D

D

C

C

B

B

A

A



6 5 4 3 2 1

ITEM NO.	PART NUMBER	DESCRIPTION	RM150/QTY.
34	M10-30HB	M10 x 30 Hex Head Bolt	12
35	M10-000NN	M10 NYLOCK NUT	10
36	M8-000NN	M8 NYLOCK NUT	13
37	M8-30HS	M8 x 30 Hex Head Set Screw	14
38	M12-000NN	M12 NYLOCK NUT	5
39	7-16 20 x 1 1-4 UNF	7-16 x1 1-4 UNF "0 Hex Head Bolt	3
40	M10-000PWG	M10 Plain Washer Form G	1
41	M8-000LN	M8 Lug Nut	10
42	M10-000CN	M10 Cage Nut	2
43	M16-90HB	M16 x 90 Hex Head Bolt	2
44	M16-000PW	M16 plain Washer	8
45	M16-000NN	M16 Nylock Nut	4
46	M12-90HB	M12X90MM HEX HEAD BOLT	2
47	M12-000PW	M12 PLAIN WASHER FORM A	8
48	M12-60HB	M12X60 HEX HEAD BOLT	1
49	M12-70HB	M12X70 HEX HEAD BOLT	1
50	M12-50HB	M12 x 50 Hex Head Bolt	1
51	M10-90HS	M10x90 Hex Head Set Screw	1
52	M8-30CS	M8 x 30 Cap Head Set Screw	10

MODEL: **RM150 MK4**

YEAR/ MARK: **01/2019 ONWARDS**

6 5 4 3 2 1

D

D

C

C

B

B

A

A

6 5 4 3 2 1

ITEM NO.	PART NUMBER	DESCRIPTION	RM150/QTY.
53	M16-150HB	M16x150 Hex Head Bolt	2
54	M8-50HB	M8 x 50 Hex Head Bolt	1
55	M8-000PW	M8 Plain Washer From A	28
56	M8-20CS	M8 x 20 Cap Head Set Screw	2
57	M10-100HS	M10 x 100 Hex Head Set Screw	1
58	3-8 24 x 1 1-4 UNF	3-8 x1 1-4 UNF 24 Hex Head Bolt	1
59	68856640	KEYWAY, 6X6X40MM FEATHERED ENDS STEEL	1
60	MFM-1618-12	IGUS BEARING 16MM ID, 18MM OD, 12MM THICKNESS TOP HAT STYLE MFM-1618-12	2
61	RM150-BGL	BELT GUARD LH, RM150	1
62	BTC-5050T	BOX CAP THICK WALL 3-5MM TO SUIT 50X50	1
63	M8-50CS	M8 x 50 Cap Head Set Screw	1
64	BX63	BELT, BX63, RAW EDGED COGGED	2
65	6285	Blade 20 31/64" x 5/*	3
66	RM150-080	BLADE WASHER, NEW TYPE CUTTER BLADE, 5MM	3

D

D

C

C

B

B

A

A

NOTES:  
 A: UP TO 06/2018 CLUTCH HAS A 125MM OUTSIDE DIAMETER. FROM 06/2017 CLUTCH HAS A 145MM OUTSIDE DIAMETER. 145MM DIAMETER CLUTCHES CANNOT BE FITTED TO OLDER MACHINES DUE TO STEELWORK CLEARANCE. IN THIS CASE A SMALLER 125MM DIAMETER CLUTCH CAN BE SUPPLIED.

MODEL: **RM150 MK4**  
 YEAR/ MARK: **01/2019 ONWARDS**

6 5 4 3 2 1